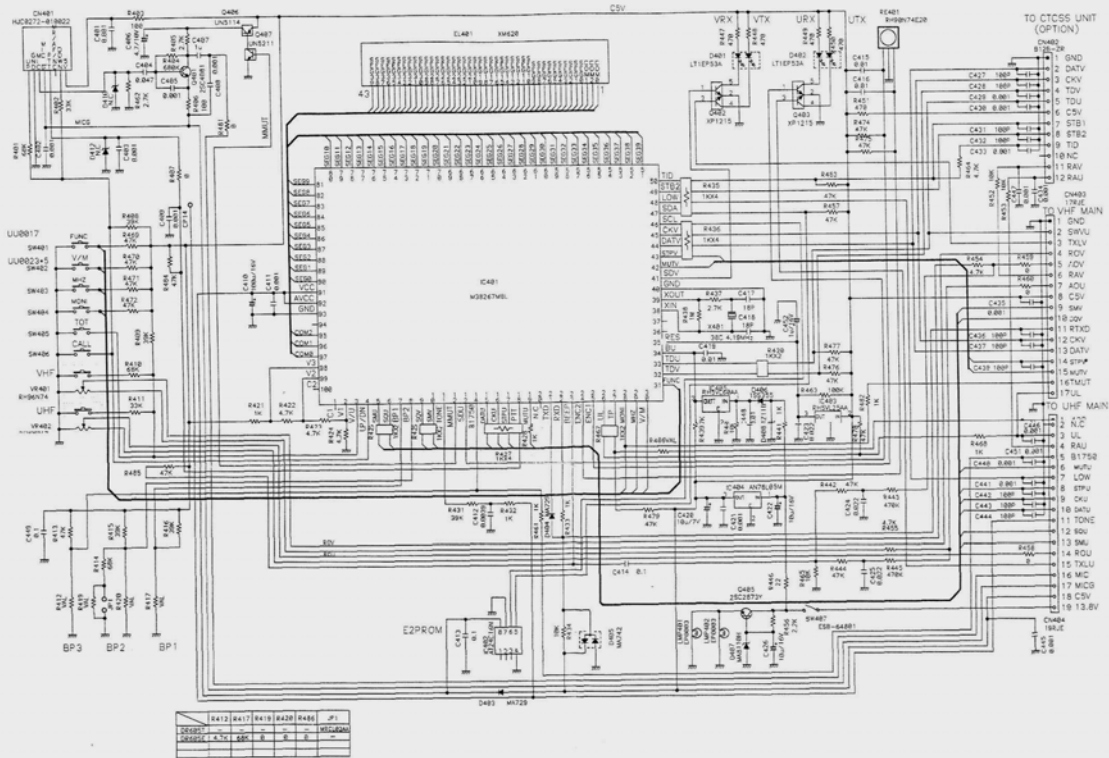
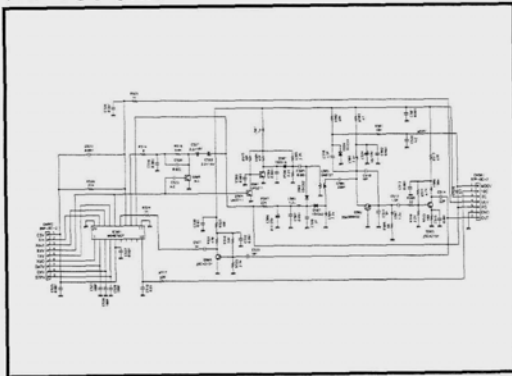


SCHEMATIC DIAGRAM **DR-605T/E**

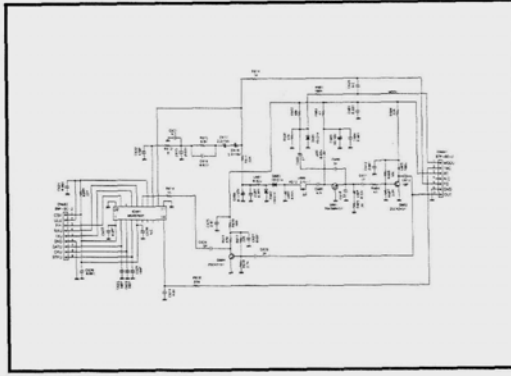
CPU UNIT



VHF VCO UNIT

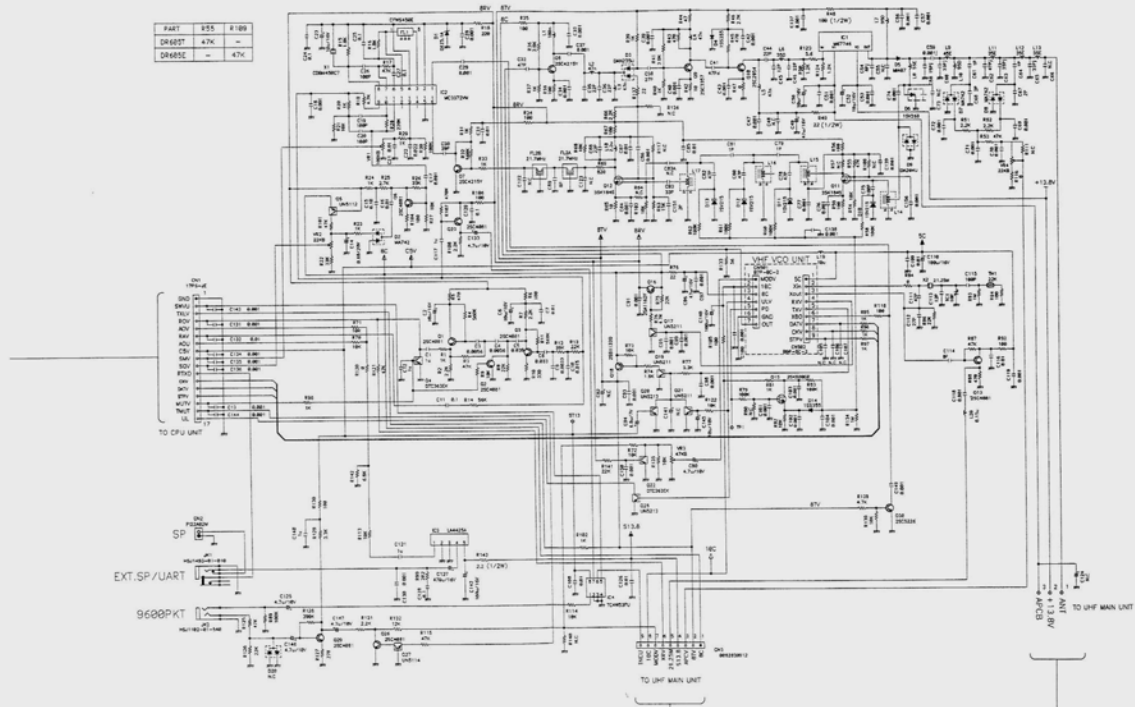


UHF VCO UNIT



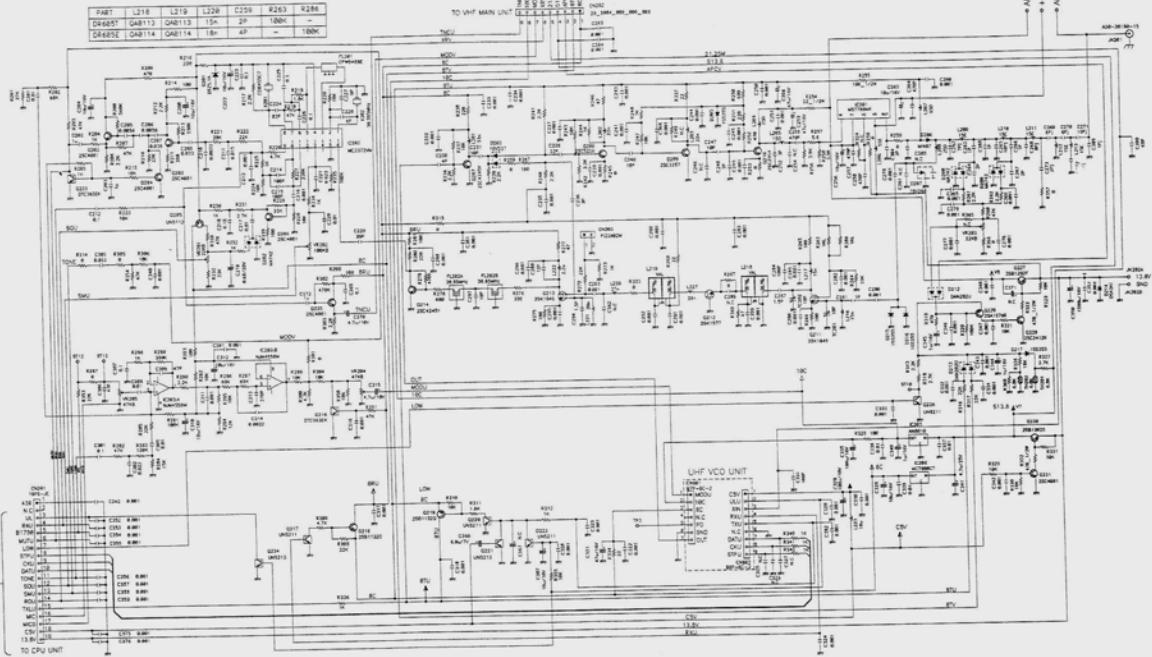
VHF MAIN UNIT

PART	Q55	Q109
D4687	47K	-
D4685C	-	47K



UHF MAIN UNIT

PART	L318	L319	L320	C259	R263	R284
D4687	QAB113	QAB113	15K	2P	100K	-
D4685C	QAB114	QAB114	18K	4P	-	100K



scan & edit
UN7GET

page 1

Specifications are subject to change without notice or obligation.

PK0062